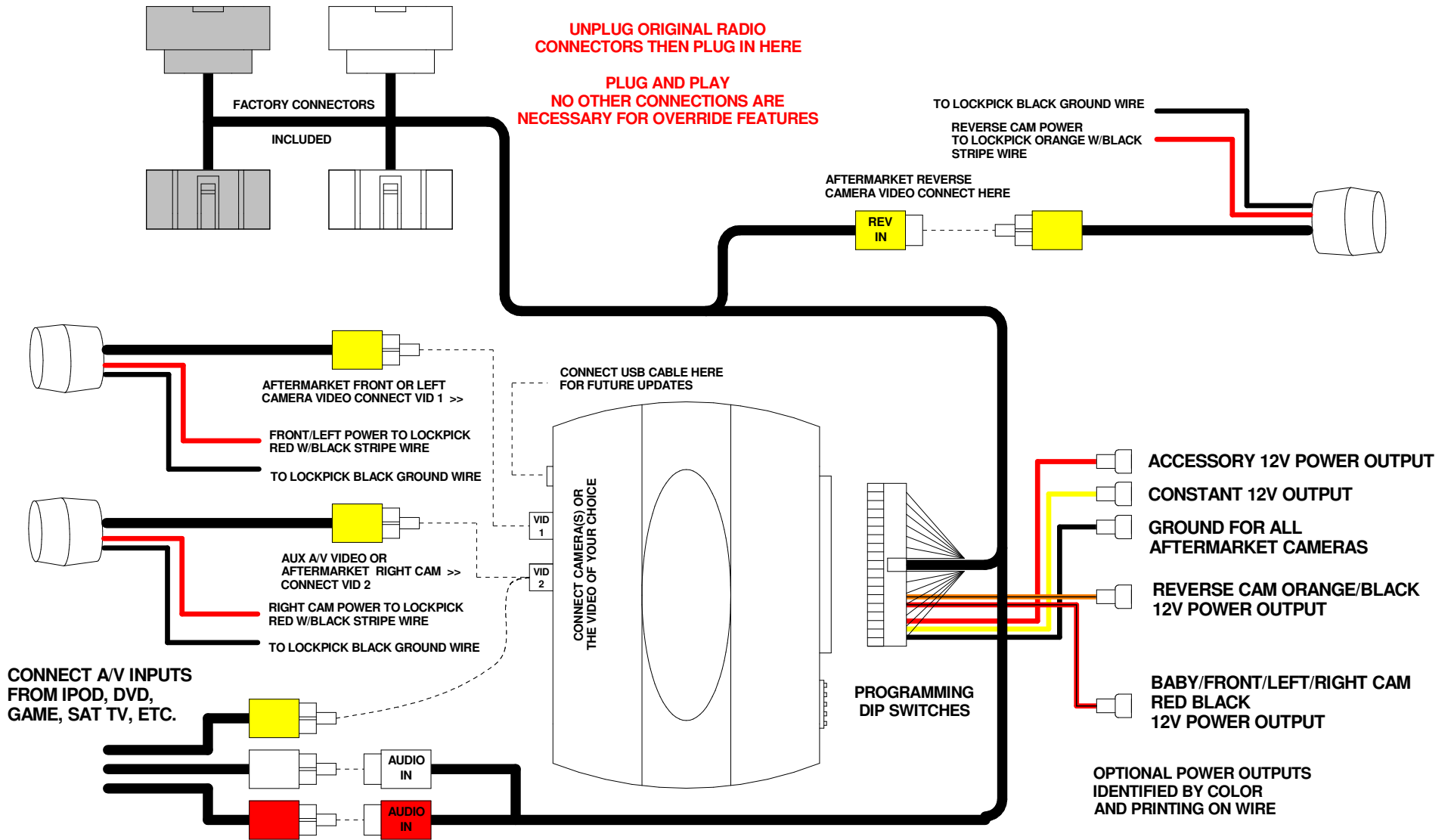


LOCKPICK™ C8 INSTALLATION OPTIONS

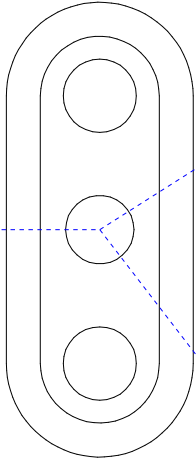
COPYRIGHT 2011 COASTAL ELECTRONIC TECHNOLOGIES, INC.



LOCKPICK C8 STEERING WHEEL CONTROLS

TM

**SCROLL UP
MENUS**

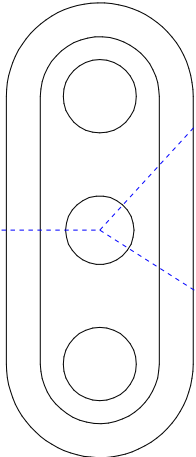


**SELECT
DESIRED
FEATURE**

*** OPERATIONS WHILE
MENUS ARE DISPLAYED
ON INSTRUMENT CLUSTER**

**SCROLL DOWN
MENUS**

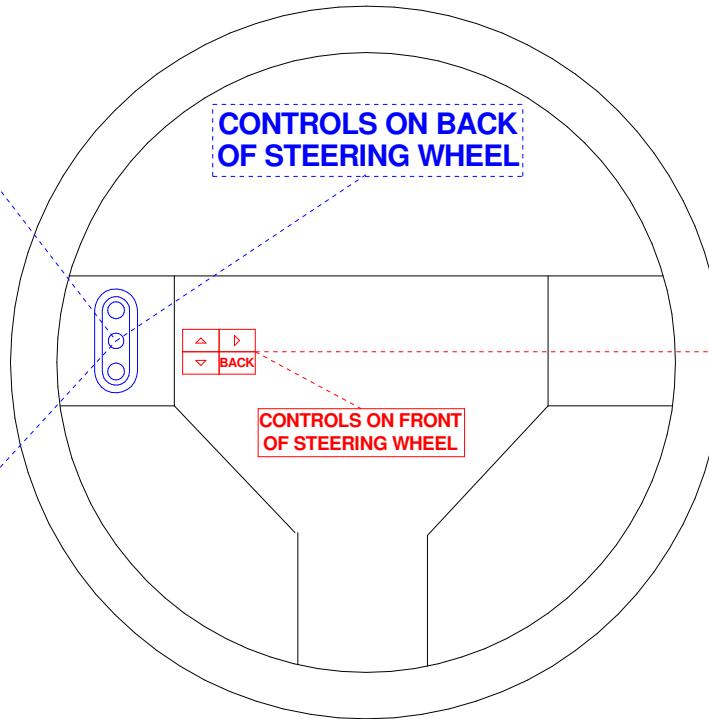
**TOGGLE TO
REAR CAM**



**TURN
CAMERA
OFF**

*** OPERATIONS WHILE
CAMERA VIDEO IS DISPLAYED
ON RADIO SCREEN**

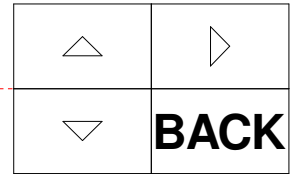
**TOGGLE TO
VIDEO 1 OR 2**



**CONTROLS ON BACK
OF STEERING WHEEL**



**CONTROLS ON FRONT
OF STEERING WHEEL**



**PRESS BACK
4X TO BEGIN
AND END
INSTRUMENT
PANEL MENUS**

Coastal Electronic Technologies, Inc.

Chrysler/Dodge

LOCKPICK C8

Installation and Operation Instructions

Thank you for your purchase of the Coastal Electronic Technologies, Inc. LOCKPICK C8. The LOCKPICK C8 has many features and capabilities to unlock and allow full use of your Chrysler/Dodge radio and navigation system (if equipped) PLUS instant activation of rear camera inputs AND a second input for use with a front camera, baby camera or any other video input you may desire. In addition, the Lockpick C8 will enable a full multimedia input complete with stereo audio inputs that play through your factory sound system without FM modulators and video that can display on the factory screen. The interface can also support left and right side cameras and display them automatically if desired. The Lockpick C8 is especially designed for compatibility with all radio systems utilizing the new 8.4 inch display screen and all factory options which may be present.

Below is a list of included features:

- The ability to use your navigation system without restrictions including the ability to input addresses, search points of interest, etc. while in motion.
- You can also enjoy full use and video viewing of your DVD player while in motion if you desire.
- Fully enables the rear camera function present in your screen allowing the simple addition of an aftermarket rear view camera.
- Enables viewing on demand of factory rear camera or an aftermarket rear camera at any time or while in any gear.
- Includes an input for a front camera that can activated at any time or automatically activated while at slow speeds for enhanced parking.
- Fully supports side cameras automatically activated with your turn signals.
- Multimedia video and stereo audio inputs through your factory system.
- Controlled by steering wheel buttons – no extra switches or wiring.
- Instrument panel text and menus display all functions and selections.
- Plug and Play with factory connectors – no cut wires, soldering or taps – easily removed.
- USB update ability built in to keep your Lockick current with changing software needs.

This manual will document how to operate the steering wheel buttons to activate the many functions of the LOCKPICK C8. Installation diagrams are included to guide you in various connection strategies. Please read this manual fully so that you can learn to take advantage of all of the exciting features and capabilities of the LOCKPICK C8.

At this time, Coastal Electronic Technologies, Inc. would like to recommend that you have this installation completed by a certified mechanic or someone familiar with automotive electronics. This installation, while not time consuming, does require careful attention to detail and precise following of installation instructions.

Coastal Electronic Technologies, Inc. accepts no responsibility due to the improper installation or use of this product. Installation and / or use of this product implies and signifies user acceptance of this term of use. Please adhere to all driving laws in your state.

The LOCKPICK C8 is designed with simple “T” harness connectors, equipped with factory male and female connectors for direct connection to your radio. Most installations are relatively simple with just a single panel surrounding the radio which must be pulled free before exposing the radio. Remove 4 screws holding the radio to view the connectors on the rear of the radio. Consult a professional installer if you require assistance plugging in your Lockpick.

- 1. With access to the rear of the radio,** unplug the 2 matching connectors and plug them into the female connectors of your LOCKPICK C8 harness. Then plug the male connectors of the LOCKPICK C8 harness into the earlier factory locations. The connectors are keyed and cannot be plugged in to the wrong location. Line up the connectors carefully and make sure that no pins are bent or misaligned before pressing hard to make sure the connector is fully seated.
- 2. The Lockpick C-8 contains dip switch settings on the module which can enable additional functions as they become available or necessary for particular vehicles.** At this time, no switch settings are required and all switches should be left in the UP or OFF positions.
- 3. If you do not currently have a rear view camera and want to add one to your vehicle, the Lockpick makes it easy.** Included on your Lockpick wiring harness, is an RCA connection for video input of an aftermarket rear camera. Plug in your rear camera video here. Also, power for your rear view camera is provided and labeled on the Lockpick harness as REVERSE CAM 12V + power output A GROUND connection is also provided to make connecting and powering your camera simple. Note: Some installers may be familiar with using the reverse taillight as a power source for aftermarket rear view camera installations. This is not recommended or needed when using the Lockpick as it supplies all power needs and video connections. Failure to connect the camera power to the Lockpick will prevent the Lockpick from being able to power and display the aftermarket camera at times other than reverse.
- 4. If you already have a factory rear view camera, no extra wiring or connections are necessary for the Lockpick to be able to activate and display the camera at any time, just plug and play.**
- 5. If you want to add a front camera, the Lockpick is prewired and programmed for exciting options.** The Lockpick harness has a 12V power output labeled ADDITIONAL CAM POWER 12V+ that is specially designed to automatically provide the power needs of your front camera Connect the power needs of your additional camera to the additional camera power output and attach the GROUND connection of your camera to the GROUND connection provided for you on the Lockpick harness. Connect the video from your camera to the Video 1 (see included diagram) input on your Lockpick module. See operation note for information on how to activate a front camera at any time or automatically while at slow speeds for parking.
- 6. The Video 2 input (see included diagram) on the Lockpick module provides a video input for your multimedia source. The Red and White RCA audio inputs located on your wiring harness, are associated with the Video 2 input on your Lockpick module.** When you select the AUX A/V Lockpick function, the Lockpick will activate the front screen for video input from the Video 2 input and will enable any audio source connected to the Lockpick audio inputs to play through the factory sound system. Activation is as simple as a few clicks of your steering wheel button.
- 7. Alternately, you may select the AUTO TURNS function of your Lockpick menus to enable left and right side cameras which automatically activate when the turns signals are applied.** When the AUTO TURNS function is turned on, the video 1 and 2 inputs are reconfigured for left and right side camera inputs. Connect your left camera video input to the Lockpick video input 1 and your right camera video to the Lockpick video input 2. Power both of your side cameras from the ADDITIONAL CAM POWER 12V+ output provided on your Lockpick harness and connect their Grounds to the provided Lockpick GROUND connection.

8. **Also present on your Lockpick harness is a 12V ACC output connection.** This ACC output is created by the Lockpick and can be used as a convenient 12V switched power source for many of your accessories. It is rated for a constant 1.5 AMPs and will automatically turn on and off at the proper times of your vehicle use. If your power needs are greater than 1.5 Amps, you may use the CONSTANT 12V output conveniently provided by the Lockpick harness and switch it on and off through a relay powered by the ACC power output of the Lockpick harness.

****NOTE:** The connections for 12V Constant Battery power (YELLOW), ACC Ignition power (RED), GROUND (BLACK), Reverse power(ORANGE W/STRIPE), Front/Baby cam power (RED W/STRIPE), are provided as a BONUS in your wiring harness for you to use when connecting additional accessories such as a DVD player, Game, Cameras, Radar detector, etc., without worry that they might drain your battery when the car is turned off. The ACC wire can power up to 1.5 Amps constant. Higher loads should be connected with a relay.

**** Do not attach the Constant or ACC wires directly to the vehicle wiring or ignition switch. The Lockpick is plug and play for standard DVD/NAV/VIDEO/ /CAM unblocking and does not require connections for power or ground. Connecting these Lockpick outputs to the vehicle wiring can damage the unit and cause improper operations.**

LOCKPICK C-8 OPERATION INSTRUCTIONS

All functions begin by accessing the menu structure created by the Lockpick on the dash instrument cluster.

Press the BACK button on your steering wheel 4x within 3 seconds to display Lockpick menus.



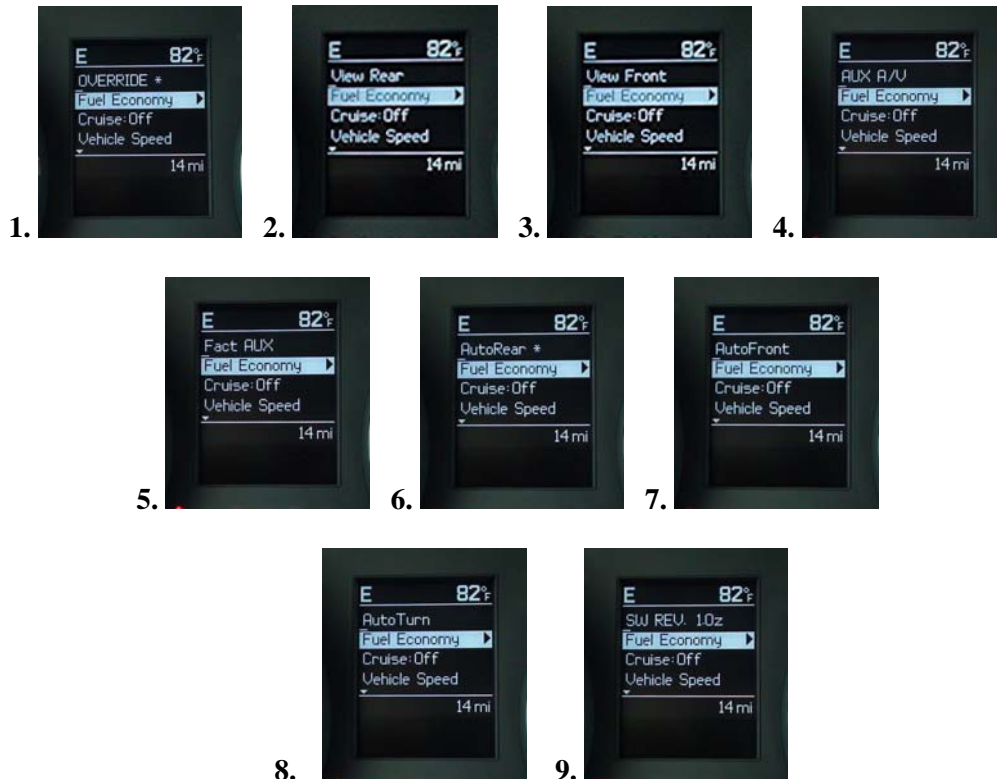


Lockpick text will display here on your instrument panel. Different vehicles will display text in various colors etc., but always in the top location as shown.

On the left, backside of the steering wheel, locate the upper, middle and lower factory buttons.

(See included drawing)

Press the lower button on the back of the steering wheel to scroll down through the menus and the upper button to scroll up through the Lockpick menus.



Press the center button to select the desired function.

The Lockpick instrument cluster menus will automatically time out after 10 seconds and return you to standard vehicle information or you may press the BACK button 4x again to turn them off immediately. Functions which have been turned on, will indicate with an asterisk next to the selection.

Lockpick Menu

Override - ON is the default state for this Lockpick option. Select Override ON to activate the enabling feature of the Lockpick for navigation input while in motion or DVD play while in motion. The Override feature will remain on as long as you desire or until you return to the Override menu and turn it OFF.

View Rear - Select VIEW REAR to manually activate and view the factory rear cam or any aftermarket rear cam you may have installed and connected to the Lockpick wiring harness rear camera video input. **Press the center button again to turn off the rear cam and return to standard radio views.**

View Front - Select VIEW FRONT to activate and view video from an attached front camera that you may have installed and connected to the Video 1 input on the Lockpick module. You may wish to connect an interior baby cam or other video source in place of a front camera; any standard video source is acceptable. **Press the center button again to turn off the Video 1 input and return to radio views.**

Note: The Lockpick has a special feature to allow quick toggling between the video inputs. While a camera is manually activated, press the upper or lower buttons on the back of the steering (just as you do when scrolling the Lockpick menus). When you press up, the Lockpick will display the rear camera, when you press down, the Lockpick will toggle between the Video 1 and 2 inputs. When you press the center button, it will turn off the camera/video viewing and return you to the standard radio views.

AUX A/V - Select AUX A/V to activate the Video 2 input on the Lockpick module and the audio Left and Right inputs provided on the Lockpick harness. The Lockpick will provide full multimedia access to your vehicle with video displayed on your factory screen and stereo audio through your factory sound system!



AUX
A/V
selected
VIDEO
+
AUDIO
ON



Press
BACK
2X
for
AUDIO
ONLY



When the AUX A/V function is selected, the Lockpick will enter into a sub menu and display >AUX A/V V. This indicates that the AUX A/V function is now selected (>) and the Video (V) is active and displaying the picture from the source connected to the Video 2 input on the Lockpick module. You may toggle the Video (V) OFF and listen only to the audio by pressing the BACK button on the steering wheel 2x. Press the Back button 2x again and the Video (V) will toggle back ON.



Press BACK 4X
to exit the
(>) AUX A/V
sub menu and
return to the
Lockpick option
list.



After pressing the Back button 4x and exiting the > AUX A/V sub menu, you may now scroll up and down through the Lockpick options with the steering wheel buttons to choose other functions as desired.

Fact AUX – Within your console are inputs for an additional audio input. To activate and listen to a device connected to the factory Aux input, select the Fact AUX Lockpick menu. Note: If audio is input to the Lockpick AUX A/V input and the factory Aux input at the same time, mixing of audio will occur. To prevent this, only use one at a time.

AutoRear - ON is the default state for this Lockpick option. It will automatically activate the rear camera function while in reverse gear for use with an aftermarket rear view camera or to support your factory rear view camera. **If your vehicle is not factory equipped with a rear view camera and you will not be installing an aftermarket rear view camera, set this option to OFF** by pressing the center button on the rear of the steering wheel. This will prevent the screen from blanking while in reverse.

AutoFront - Off is the default state for the automatic front camera option. If you would like to install a front camera and have it automatically turn on when the vehicle slows to below 7 MPH, set this option to ON. While the option is activated, the front camera (video input 1) will automatically turn on in Drive gear while slowing to park, and will automatically turn off as the vehicle accelerates.

Note: While the automatic front camera is activated and showing on the screen, the Lockpick has a convenient feature built in to allow you to temporarily shut off the camera and return to the standard radio view without fully disabling the automatic front camera option. Simply press the center button on the back of the steering wheel while the automatic camera is being viewed, and the camera will temporarily turn off until the vehicle accelerates and then returns to a speed below 7 mph again.

AutoTurn – Off is the default state for the automatic turn camera option. If you would like to change the function of the Video 1 and Video 2 inputs on the Lockpick module and instead use them for left and right side cameras automatically activated with your turn signals, set the AutoTurn option to ON. The Lockpick will automatically activate and display the Video 1 source when the left turn signal is applied and the Video 2 source when the right turn signal is applied. It will return the radio back to its standard views when the turn signal is turned off or you may press the center button on the back of your steering wheel to temporarily turn off the viewed camera until the next turn signal stalk activation.

SW REV XXX – The Lockpick C8 software is equipped with the ability to be updated by the user and will display the current software revision number while viewing this menu option.

Installation Q & A:

- 1. When I put the car in Reverse, the radio screen blanks out. I do not have a rear view camera.*
The Lockpick C8 automatically activates a rear view camera input for your radio. If you do not intend to install a rear view camera or do not want it activated automatically, set the AutoRear function to OFF.
- 2. My system does not show the factory DVD player picture at any time. Will the Lockpick work for this car?*
The Lockpick will enable the video function regardless of whether it is currently activated.
- 3. I do not have navigation but I do have the large screen in my vehicle. Will the Lockpick turn on navigation functions?*
No, these radios do not have the hardware to receive GPS or the mapping software necessary.
- 4. I turned on one of the Camera or the AUX A/V input functions created by the Lockpick and all I see is a flashing picture or blank screen when I try to look at the video.*
Insure that all aftermarket cameras are powered by the Lockpick and plugged into the correct Lockpick Video input. Also, check to see that Lockpick and radio connectors are plugged to the back of the radio.
- 5. I pressed the up and down buttons on the front of my steering wheel and the Lockpick menus are not changing.*
After the BACK button is pressed 4x to enter the Lockpick menu structure, the three buttons on the back side of steering wheel, on the left side, are used to go up, down and select Lockpick functions.
- 6. How do I turn off a camera that has activated automatically or one I have turned on manually?*
Press the middle button on the back of the steering wheel on the left side (see steering wheel illustration).

USB UPDATING



(make sure module is also connected to Lockpick harness and vehicle)

Your Lockpick C-8 interface includes the ability to be updated via a USB connection to a PC. Connect a common mini USB to standard USB cable (the same as used with most cameras and phones) into the jack on the Lockpick module and then into a laptop computer. A software program is available for download and installation on our website at www.coastaletech.com/usbupdate.htm Download the application and save it to your computer. Open the folder and select the SETUP file to install the FIRMWARE UPDATER program on your computer. On our website we provide updates and changes that will use the FIRMWARE UPDATER program to allow simple updates to your Lockpick module when desired.

If an update becomes available, download and save the desired Lockpick update from our website. Make sure the module is plugged into the Lockpick harness and connected to your vehicle with the key off. Plug in the USB cable to the Lockpick module and your computer. Then open the FIRMWARE UPDATER program on your computer and when prompted, browse to the location you saved the desired update. Start the update as directed in the software and do not stop the process once begun. After completion, disconnect the USB cable, start the car and explore the installed firmware changes.

ENJOY YOUR LOCKPICK™ !!

Available accessories to make your camera installations easy



MINICAM 221 Color Camera
Digital Distance Markings
Standard or Mirror Image
(front or rear)
Waterproof
21' Power and Video cable



BARCAM 221 Color Camera
Digital Distance Markings
Standard or Mirror Image
(front or rear)
Night Vision Illumination
Waterproof
21' Power and Video cable