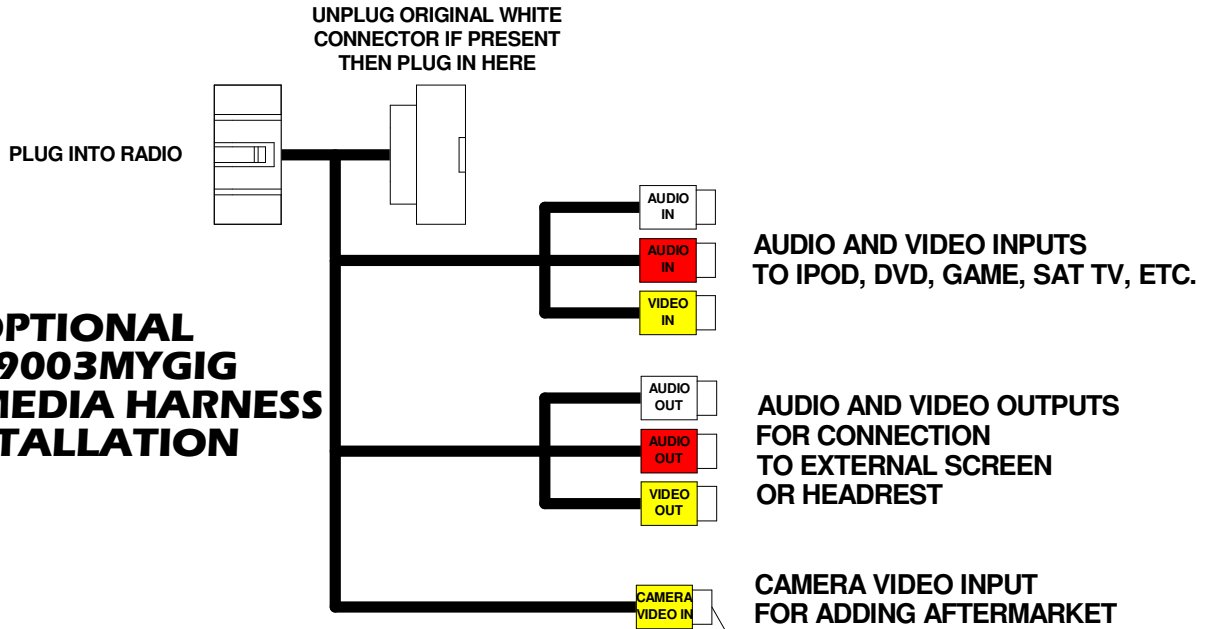
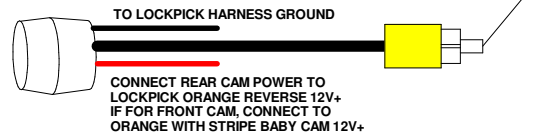


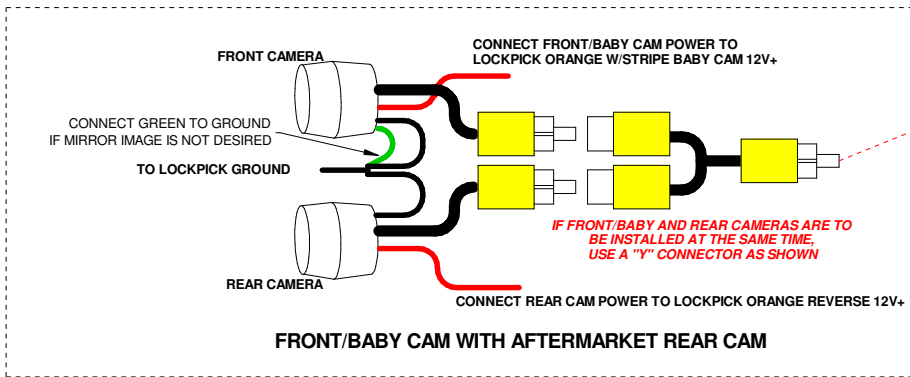
# OPTIONAL AV9003MYGIG MULTIMEDIA HARNESS INSTALLATION



## TO ADD A SINGLE AFTERMARKET CAMERA



NOTE: CAMERA WIRING COLORS AS SHOWN ARE FOR COASTAL ELECTRONIC MODEL EL1CCDCAM OTHER 12V CAMERAS MAY BE SUBSTITUTED - CHECK OTHER CAMERA INSTRUCTIONS FOR PROPER CONNECTIONS



Below are installation requirements, options and radio settings when installing the AV9003 MYGIG multimedia harness.

1. Aftermarket Rear View Camera , Front Cam or Baby Cam installations – **The AV9003MYGIG harness contains a video input labeled Camera Input.** When the MYGIG LOCKPICK is present it can automatically turn on the camera video input on the AV9003MYGIG harness while the vehicle is in Reverse. This allows the installer to add a camera to vehicles which do not have a camera or previously never even had an option for a rear view camera such as passenger cars. The MYGIG LOCKPICK can even allow the camera input on the AV9003MYGIG harness to be turned on at times other than reverse making it perfect for installations where the rear view camera would like to be viewed while in DRIVE to monitor a trailer or other object. Also, a baby camera directed at the back seat or a front camera could be plugged in along with or instead of a rear camera. When 2 cameras are to be installed, a video “Y” should be installed to allow two video sources to plug into one connection. These are readily available at Radio Shack or any stereo retailer.

2. The MYGIG LOCKPICK will automatically add the VES rear entertainment mode to all MYGIG radios making it a seamless integration to add an aftermarket system. **Video and audio INPUTS are provided on the AV9003MYGIG harness** which can allow aftermarket systems to display their video on the MYGIG system screen and have the audio play through the factory sound system WITHOUT FM modulators.



**The video and audio inputs are selected on the touch screen by pressing the VES mode** button created by the MYGIG LOCKPICK. If the on screen display does not then show the AUX input selections, press the VES MODES button at the bottom of the screen. The REAR AUX 1 input can then be selected by touching the onscreen AUX 1 button. This will activate the audio and video inputs of the AV9003MYGIG multimedia harness. If your interface is set for automatic video enabling, a VIEW VIDEO button will appear in the lower right corner of the screen. If the VIEW VIDEO button is pressed, the video from your attached source will be displayed.



**The A/V OUTPUTS on the AV9003MYGIG harness can output the MYGIG DVD video and audio directly to a rear screen system.** The MYGIG radio is capable of DUAL ZONE operation.

- This means it can output one set of audio or audio/video to the rear system while allowing the front operator to view or listen to something else on the MYGIG radio itself.
- The system cannot output the A/V inputs from the AV9003MYGIG harness to the A/V outputs on the AV9003MYGIG harness at the same time.
- The MYGIG radio can output the video from the internal DVD player to the rear system while simultaneously viewing and listening to either the AUX input audio and video provided on the AV9003MYGIG harness or any of the standard functions of AM, FM, SAT or hard drive. You can also send just the audio from the AM, FM, SAT, or hard drive out to the rear seat entertainment system.

**To properly select which audio and video source you would like to send out of the A/V output of the AV9003MYGIG, press the menu button and then select the onscreen button for REAR VES.**



- The screen will then show the possible options for outputting MYGIG radio and video



- Select the source 1 tab and not the source 2 tab



- Any option for output is available on the radio or media tabs. The VES output options are not selectable as they are applicable only to a factory VES system. If you would like to send out the picture and the sound from a DVD playing in the MYGIG radio to your additional screen, select the MEDIA tab and then the DISC option. The DVD in your MYGIG radio will continue to play and output its audio and video to your rear seat system even if you then switch to any of the different functions available on the MYGIG radio for the front seat operator.